

Quick Reference Cards | CG000471 | Rev G

Chromium X Series

For use with:

Chromium X & Accessory Kit

12-Month Warranty, PN-1000331 | 24-Month Warranty, PN-1000332

Chromium iX & Accessory Kit

12-Month Warranty, PN-1000328 | 24-Month Warranty, PN-1000329

Chromium Xo & Accessory Kit, *12-Month Warranty, PN-1000812*

Chromium X Series Refurbished

PN-1000326R | PN-1000818R



Chromium X Series

Step 1: Installation

Location requirements:

- Not in direct sunlight
- Level, sturdy laboratory bench that is not subject to movement or vibration
- Provides maximum bench space (front to back)
- Allows access to the wall plug and to the detachable power cord at the rear
- Minimum of 4" (10 cm) clearance around unit
- Minimum of 6" (15 cm) directly in front of the instrument for movement of the tray door

 The tray door is capable of moving an object in its path, which could fall, creating a hazard.

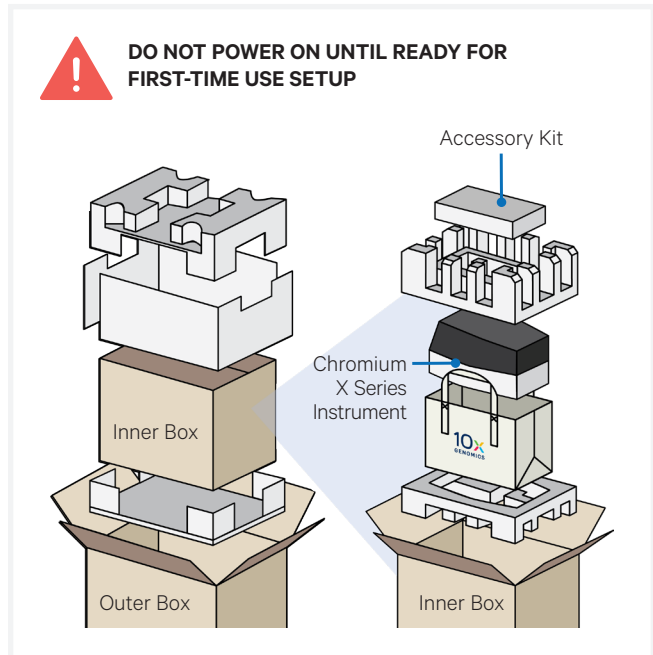
 **Heavy Load:** Total box weight is 49.9 lb (22.6 kg). Two-person lift required. Use tote bag to lift the instrument itself (41.4 lb [18.8 kg]).

Unbox

- Open box according to box label "this side up." Remove tape and open. Deep cuts may damage the contents.
- Remove the Transition Kit box (if present) and packaging material. Lift inner box out and open according to box label "this side up."
- Remove the Accessory Kit box and packaging material.
- Lift out tote bag holding the instrument and place on bench top. Remove instrument from tote bag. Remove outer packaging materials.

Remove Shipping Lock

- Grab red sticker on the tray door by the "pull" tab and pull down to open tray. Unscrew (by hand) the red metal shipping lock. Retain shipping lock for future use.
- Close the tray door.
- Find universal power cord and plug adaptors in the Accessory Kit box. Attach correct country adaptor to the universal adaptor.



- Plug the instrument into a properly grounded outlet of proper voltage.



- Ensure power source is grounded** before plugging in the instrument's power cord.
- If using an Ethernet cable (not provided), connect directly to the instrument.

Consult User Guide (CG000396) for complete information

Chromium X Series

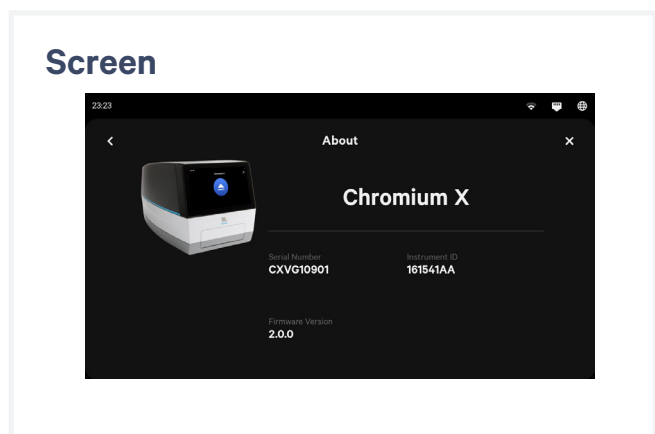
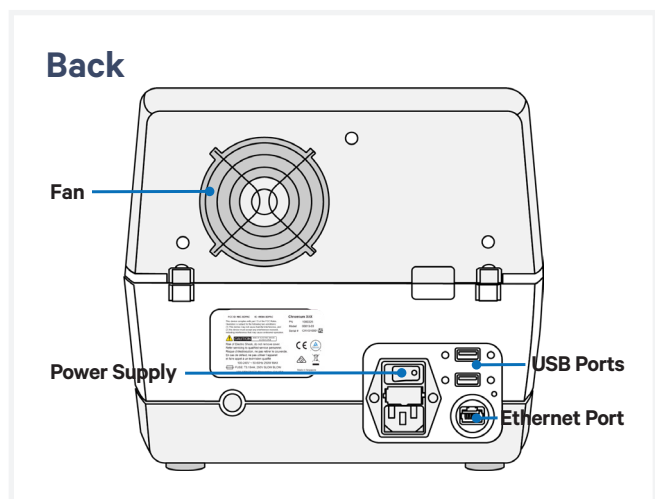
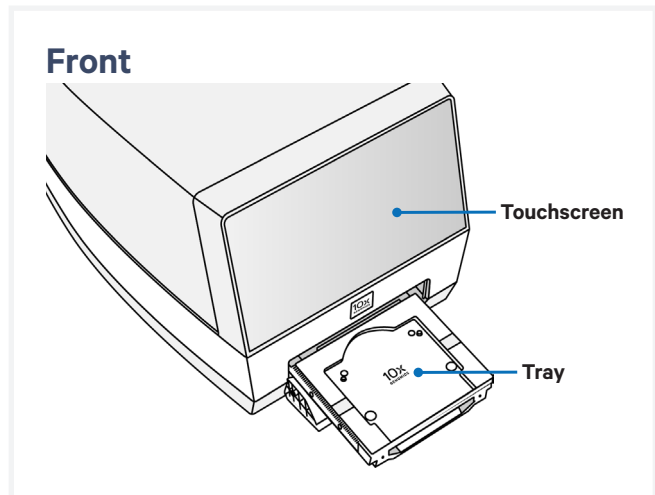
Step 2: First-Time Use

The instrument will walk through a first-time setup protocol. Setup requires the following:

- **10x Genomics Account**
Onscreen instruction will guide account setup. Alternatively, visit cloud.10xgenomics.com/instruments to create an account beforehand.
- **Instrument serial number and instrument ID**
Located onscreen during setup, and also on the label at the back of the instrument
- **A computer with Internet access**
- **Network connection between instrument and 10x Cloud**
An internet connection is used for firmware updates. Wi-Fi configuration may not be available in your region. Ethernet is recommended for optimal performance. Consult the Chromium X Series: Network Connectivity Guidelines (CG000508) for more information.

Turning on the system

- a. Power on the instrument using the power switch at the back of the unit.**
If using Ethernet, connect the cable to the instrument Ethernet port.
- b. Navigate to register.10xgenomics.com using the onscreen QR code on a computer or phone with internet access. Enter the serial number + instrument ID. Read and accept the legal agreement.**
- c. Update the firmware.**
After registration, the instrument will automatically search for the latest firmware update. Confirm data transmission settings for automatic upload/download.
- d. Reboot to complete installation. Proceed to Readiness Test.**



Consult the Chromium X Series User Guide (CG000396) for complete information

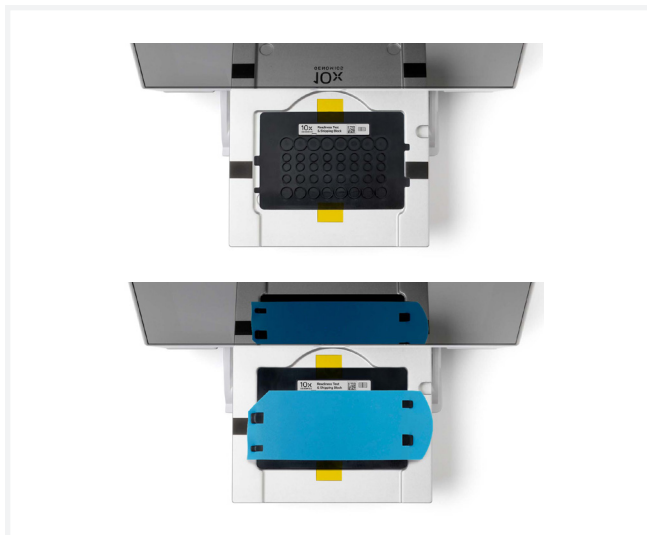
Chromium X Series

Step 3: Readiness Test

The readiness test verifies that all systems are working optimally.

- During first-time setup, follow screen instruction to launch the readiness test.
- a.** Verify that the shipping/readiness test block is properly placed on the tray:
 - Press the eject button.
 - Ensure that the blank gasket is properly attached.
 - Replace the assembled block on the tray.
 - Press the eject button again to close the tray.
- b.** After the test is complete, follow screen instruction to remove the block with blank gasket from the tray.
- c.** Store the assembled block and gasket in a plastic bag, away from sun-light and extreme temperature. Retain for future use.
- d.** A successful readiness test marks the end of setup. The instrument is now ready for use.

Initiate subsequent readiness tests through the home screen by loading the shipping/readiness test block with gasket into the instrument.



Operation Screens

After the readiness test, the instrument is ready for use. Representative instrument operation screens are shown below.

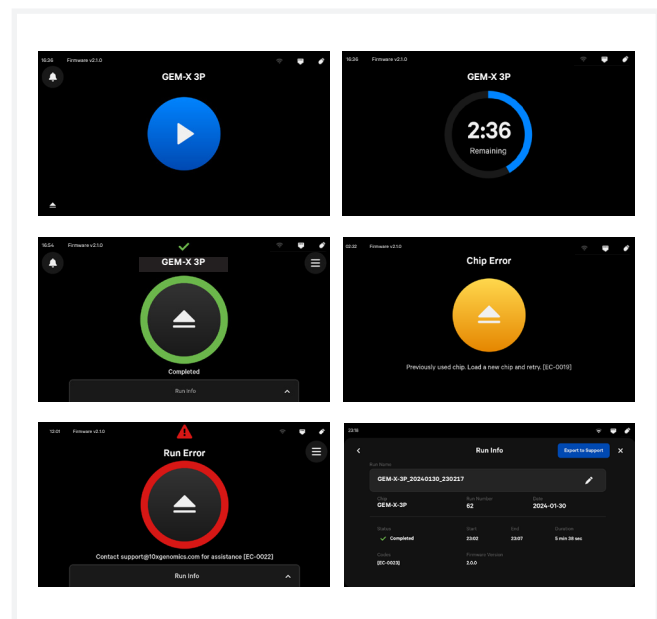
Clock
Set up during first-time use. Access through the menu option > System/Date & Time

Status Icons
Displays successfully-connected devices.

Firmware Version
Displays version currently installed

Main Button
Eject shown when ready for use

Menu Options
Press icon to navigate to that menu option



Consult the Chromium X Series User Guide (CG000396) for complete information

Chromium X Series

Firmware Update Procedure

Step 1: Download and install the update

Procedure with a network connection, auto-download enabled:

Automatic downloads of updates are enabled after firmware updates to ensure the instrument is up-to-date with the latest assay products, features, and bug fixes.

- a.** A pop-up on the home screen will alert the user of available updates.
- b.** Open pop-up and click to install.

Procedure with a network connection, auto-download disabled:

- a.** A pop-up on the home screen will alert the user of available updates.
- b.** Open pop-up and click to download.
- c.** Once the update has been downloaded, install the update.

Step 2: Reinitialize the instrument

After installing an update, run a Readiness Test. See [Readiness Test](#) section for further guidance.

- a.** Retrieve the shipping/readiness test block with attached blank gasket.
See the [Readiness Test](#) section for more information on the block.
- b.** Initiate a readiness test through the home screen by loading the block into the instrument.
- c.** After the test is complete, follow screen instruction to remove the block from the tray.
- d.** Store the assembled block and gasket in a plastic bag, away from sun-light and extreme temperature. Retain for future use.
- e.** The instrument is now ready for use.

Consult the Chromium X Series User Guide (CG000396) for complete information

Chromium X Series

Document Revision Summary



Document Number

CG000471 | Rev G

Title

Chromium X Series Quick Reference Cards

Revision

Rev F to Rev G

Revision Date

August 2024

Description of Changes

- Updated the Items “for use with” on the cover to include the Chromium Xo instrument.
- Updated screenshots of the home screen to include the firmware version number in the upper left corner.
- Updated the name of the instrument throughout to read “Chromium X Series instrument” for consistency.

Contact:

support@10xgenomics.com

10x Genomics

6230 Stoneridge Mall Road

Pleasanton, CA 94588 USA

© 2024 10x Genomics, Inc. (10x Genomics). All rights reserved. Duplication and/or reproduction of all or any portion of this document without the express written consent of 10x Genomics, is strictly forbidden. Nothing contained herein shall constitute any warranty, express or implied, as to the performance of any products described herein. Any and all warranties applicable to any products are set forth in the applicable terms and conditions of sale accompanying the purchase of such product. 10x Genomics provides no warranty and hereby disclaims any and all warranties as to the use of any third-party products or protocols described herein. The use of products described herein is subject to certain restrictions as set forth in the applicable terms and conditions of sale accompanying the purchase of such product. A non-exhaustive list of 10x Genomics' marks, many of which are registered in the United States and other countries can be viewed at: www.10xgenomics.com/trademarks. 10x Genomics may refer to the products or services offered by other companies by their brand name or company name solely for clarity, and does not claim any rights in those third-party marks or names. 10x Genomics products may be covered by one or more of the patents as indicated at: www.10xgenomics.com/patents. All products and services described herein are intended FOR RESEARCH USE ONLY and NOT FOR USE IN DIAGNOSTIC PROCEDURES.

The use of 10x Genomics products in practicing the methods set forth herein has not been validated by 10x Genomics, and such non-validated use is NOT COVERED BY 10X GENOMICS STANDARD WARRANTY, AND 10X GENOMICS HEREBY DISCLAIMS ANY AND ALL WARRANTIES FOR SUCH USE. Nothing in this document should be construed as altering, waiving or amending in any manner 10x Genomics terms and conditions of sale for the Chromium Controller or the Chromium Single Cell Controller, consumables or software, including without limitation such terms and conditions relating to certain use restrictions, limited license, warranty and limitation of liability, and nothing in this document shall be deemed to be Documentation, as that term is set forth in such terms and conditions of sale. Nothing in this document shall be construed as any representation by 10x Genomics that it currently or will at any time in the future offer or in any way support any application set forth herein.