

Quick Reference Cards | CG000577 | Rev A

# Visium CytAssist

for Tissue Slide Cassette Assembly

For use with:

Visium CytAssist & Accessory Kit, 12-Month Warranty, PN-1000441  
*Accessory Kit, PN-1000433*

Visium CytAssist & Accessory Kit, 24-Month Warranty, PN-1000442  
*Accessory Kit, PN-1000433*



# Visium CytAssist

## Document Revision Summary

---



### Document Number

CG000577 | Rev A

### Title

Visium CytAssist Quick Reference Cards – Tissue Slide Cassette Assembly

### Revision

Rev A

### Revision Date

### Specific Changes

### General Changes

#### Contact:

[support@10xgenomics.com](mailto:support@10xgenomics.com)

10x Genomics

6230 Stoneridge Mall Road

Pleasanton, CA 94588 USA

© 2022 10x Genomics, Inc. (10x Genomics). All rights reserved. Duplication and/or reproduction of all or any portion of this document without the express written consent of 10x Genomics, is strictly forbidden. Nothing contained herein shall constitute any warranty, express or implied, as to the performance of any products described herein. Any and all warranties applicable to any products are set forth in the applicable terms and conditions of sale accompanying the purchase of such product. 10x Genomics provides no warranty and hereby disclaims any and all warranties as to the use of any third-party products or protocols described herein. The use of products described herein is subject to certain restrictions as set forth in the applicable terms and conditions of sale accompanying the purchase of such product. A non-exhaustive list of 10x Genomics' marks, many of which are registered in the United States and other countries can be viewed at: [www.10xgenomics.com/trademarks](http://www.10xgenomics.com/trademarks). 10x Genomics may refer to the products or services offered by other companies by their brand name or company name solely for clarity, and does not claim any rights in those third-party marks or names. 10x Genomics products may be covered by one or more of the patents as indicated at: [www.10xgenomics.com/patents](http://www.10xgenomics.com/patents). All products and services described herein are intended FOR RESEARCH USE ONLY and NOT FOR USE IN DIAGNOSTIC PROCEDURES.

The use of 10x Genomics products in practicing the methods set forth herein has not been validated by 10x Genomics, and such non-validated use is NOT COVERED BY 10X GENOMICS STANDARD WARRANTY, AND 10X GENOMICS HEREBY DISCLAIMS ANY AND ALL WARRANTIES FOR SUCH USE. Nothing in this document should be construed as altering, waiving or amending in any manner 10x Genomics terms and conditions of sale for the Chromium Controller or the Chromium Single Cell Controller, consumables or software, including without limitation such terms and conditions relating to certain use restrictions, limited license, warranty and limitation of liability, and nothing in this document shall be deemed to be Documentation, as that term is set forth in such terms and conditions of sale. Nothing in this document shall be construed as any representation by 10x Genomics that it currently or will at any time in the future offer or in any way support any application set forth herein.

# Visium CytAssist Tissue Slide Cassette Assembly



## Visium CytAssist Tissue Slide Cassette

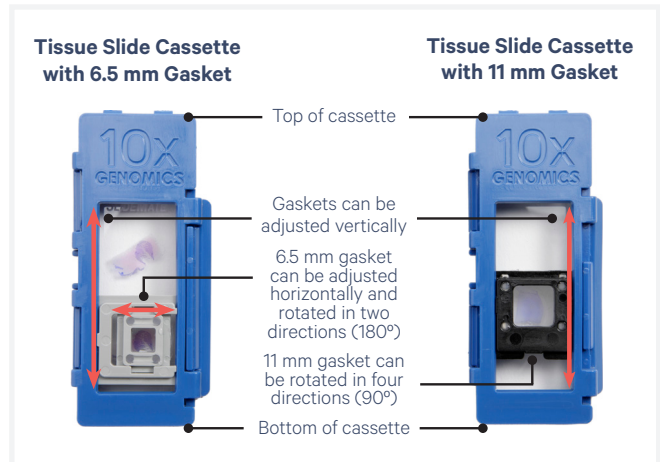
Instructions apply to both 6.5 mm and 11 mm Tissue Slide Cassettes.

The Visium CytAssist Tissue Slide Cassette is used to create wells on glass slides with tissue for reagent addition and removal.

*It is distinct from the Visium Cassette, which is used to encase Visium CytAssist Spatial Gene Expression Slides.*

Gaskets are used to create a sealed well around tissue. Gaskets are combined with the complimentary Visium CytAssist Tissue Slide Cassette components to create a complete cassette.

Assemble slide into the cassette flat on a clean work surface.



Refer to the Visium CytAssist Spatial Reagent Kit User Guide for further guidance (Document CG000495).

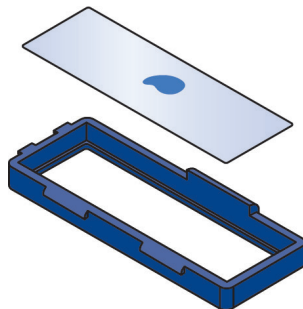
### Assembly

#### Step 1

Break cassette into two halves bending at the hinges.

#### Step 2

Place tissue slide into lower half of cassette with tissue facing up.

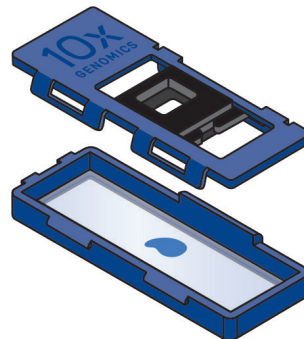


#### Step 3

Determine the configuration that allows gasket to encompass the tissue area of interest.

#### Step 4

Combine gasket with top half of tissue slide cassette.

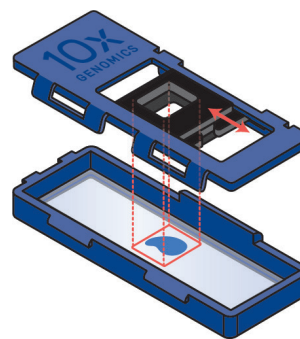


#### Step 5

Gently place top half of tissue slide cassette over bottom half. DO NOT assemble together until Step 6.

#### Step 6

Adjust gasket so it is over tissue area of interest.

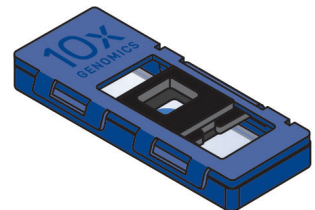


#### Step 7

Apply even pressure on top of cassette until all clips click shut. Verify that clips are completely secured over hinges.

#### Step 8

Turn cassette over and verify tissue area of interest is within gasket. DO NOT move gasket once cassette is closed. If necessary, open cassette and recenter gasket.



### Removal

#### Step 1

Pull clip up to detach upper and lower halves of cassette

#### Step 2

Open cassette by continuing to lift clip upward. If slide sticks to gasket, continue to apply even upward pressure to separate slide from gasket

#### Step 3

Hold slide by the label and lift slide out from lower half

